



Submittal Data

A-VFH18DC-1

Project Name:	
Location:	
Engineer:	
Submitted to:	
Submitted by:	
Reference:	

Approval:	
Date:	
Construction:	
Unit #:	
Drawing #:	

Power supply 208-230V~60Hz , 1Ph

Cooling

Capacity	Btu/h	17000
Capacity	kW	4.982
Rated current	A	6.278
EER	Btu/w	12
SEER2	Btu/w	21

Heating

Capacity	Btu/h	18000
Input	W	v5.275
Rated current	A	6.122
COP	W/W	3.82
HSPF42		10
heating at 47°F	Btu/h	18000
heating at 17°F	Btu/h	14700

MAX.FUSE A 20

Compressor Electrical

Model		QXF-A139ZH170A
Type		Inverter Rotary
Refrigerant Oil Type	A	FW68DA
Capacity	W	4830
Input	W	1295
Rated current(RLA)	A	9.95
Thermal protector		HPC115/95U1
Connection wiring		14/4 STRANDED

Thermostat type Remote control

Outdoor fan motor

Model		FW30R-ZL
Brand		///
Output		30
RLA	A	///
LRA	A	///
Speed	RPM	900

Air flow & Noise level

Outdoor air flow	CFM	1354
Outdoor noise level	dB(A)	64

Physical Data

Dimension(D*W*H)	inch	13.9 x 32.4 x 21.7
Packing (D*W*H)	inch	15.7 x 34.3 x 24.4
Net/Gross weight	lbs.	77.18/82.69

Ambient temperature

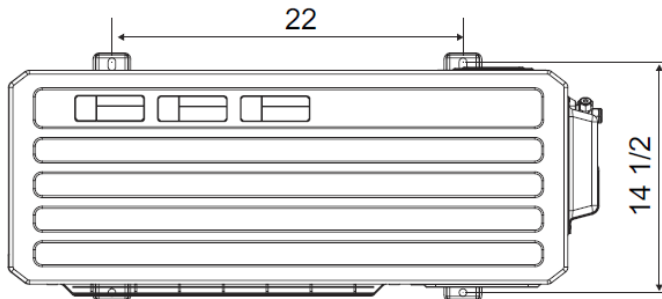
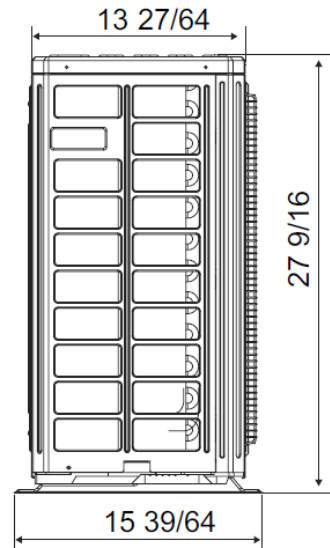
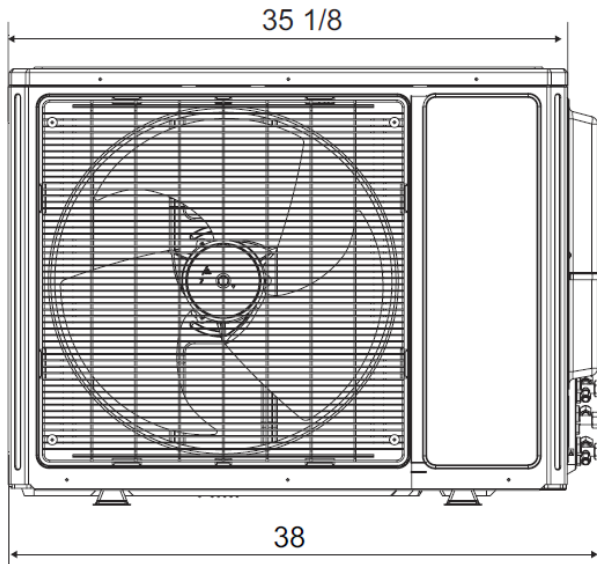
Outdoor(cooling/heating) Deg. F -22°-118°/-22°-75°F

SYSTEM DATA

# of Zones		2
Design pressure	psi	624
Refrigerant type		R-410
Refrigerant precharge	oz	45.86
Additional charge per ft.	oz	Subject to indoor unit
Liquid side		Adapters provided
Gas side		See IOM
Max. length for all rooms	ft	66
Max. height difference between indoor and outdoor	ft.	49
Max. height difference between indoor units	ft.	49

Submittal Data

A-VFH18DC-1



Unit:inch

Accessories

- 93640 Mini-Split Bracket 260lb. Limit
- 93641 Mini-Split Bracket 330lb. Limit
- 93642 Mini-Split Bracket 400lb. Limit
- 93540 Mini-Split Pad 18" x 38" x 3"